

## **AFTERCARE INSTRUCTIONS**

Your fitting has a high quality finish and should be treated with care to preserve the visible surfaces.

All surface finishes will wear if not cleaned correctly, the only safe way to clean your mixer is to wipe with a soft damp cloth. Stains can be removed using washing up liquid. All bath cleaning powders and liquids will damage the surface of your fitting, even the non-scratch cleaners. **NOTE: Never use abrasive detergents or disinfectants or those containing alcohol, hydrochloric acid or phosphoric acid.**

Bristan recommend E-Cloth for cleaning all of our bathroom & kitchen products. Using just water, E-cloth gives a smear free, deep clean by breaking up and holding dirt, which normal cloths leave behind. Order through your Bristan stockist. (ORDER CODE: ECLOTH)



## **GUARANTEE**

All products are manufactured to the highest standards and a 5 year guarantee covers any defect in manufacture.

**NOTE: The 5-year guarantee on the cartridge is invalidated if damaged by any waterborne debris.**

**All products must have access for servicing or replacement during the life of the product.**

In the interests of continuous product development we reserve the right to alter specification as necessary

## **PRODUCT CODE:**

**PRODUCT IDENTIFICATION CODE LASER ETCHED ON PRODUCT**  
Installer please fill in code here \_\_\_\_\_.(Where applicable)

TELEPHONE HELPLINE! +44 (0)844 701 6273

Bristan Group Limited  
Birch Coppice Business Park  
Dordon  
Tamworth  
Staffordshire  
B78 1SG  
UK  
A Masco Company  
Website: [www.bristan.com](http://www.bristan.com)  
Telephone: +44 (0) 844 701 6274  
Facsimile: +44 (0) 844 701 6275

# BRISTAN

## **Wall Mounted Deck Sink Mixer**

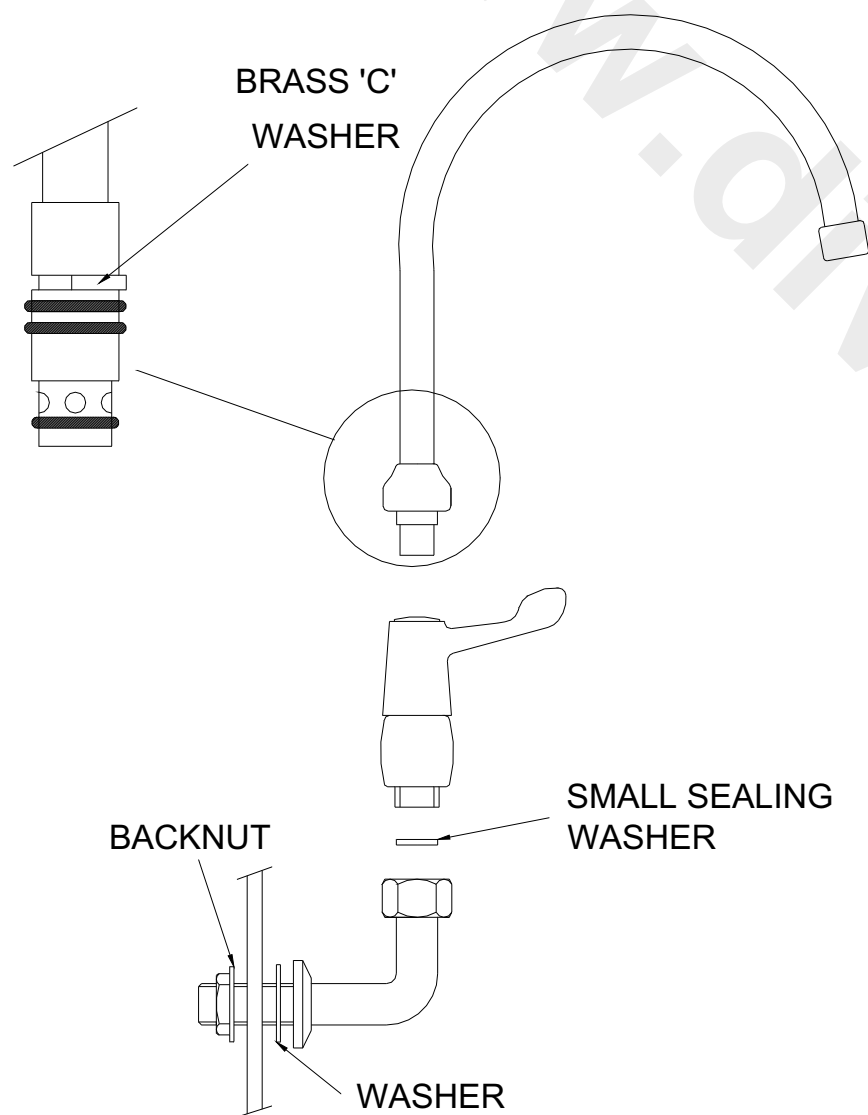
## **Fitting Instructions & Contents List**

**Please keep these instructions for future reference and request of replacement part**

## WATER PRESSURE

This mixer is suitable for use at all supply pressures. If the fitting is installed at low pressure (tank fed), then the minimum height from the outlet nozzle to the underside of the cold tank should be 1.8 metres to ensure adequate shower performance. These taps should be installed in compliance with the Water Regulations.

This mixer should be installed in compliance with the Water Regulations. For further details contact your Local Water Authority.



## INSTALLATION

1. Identify all components and check for completeness, particularly before commencing installation.
2. Fit the nozzle to the body, using the brass 'C' washer in the groove above the 'O' rings.
3. Fit the elbows to the body using the plastic sealing washers.
4. Fit elbows to wall in required position using the washers and backnuts provided.
5. Connect the elbows to the water supplies using 15mm tap connectors (Not supplied).
6. Connect the hot and cold water supplies.
7. Turn on the water supplies. Open both valves letting the water flow for a few minutes to flush the system.
8. Check all joint and connections for leaks.
9. See back page for aftercare instructions.

## MAINTENANCE

**Sureflow** type valves:- If the fitting self-opens

1. Remove fitting handle
2. Tighten gland nut on top of valve.

**Traditional** type valves:- If the fitting leaks from the spindle.

1. Remove fitting handle (if necessary).
2. Tighten gland nut on top of valve.

**All valve types**:- If the fitting begins to drip

1. Turn off the water supply
2. Remove fitting handle and valve.
3. Carefully clean seating and rubber washer.
4. Replace valve and then turn on the water supply.
5. if problem persists contact our helpline quoting the produce code overleaf.

**N.B. Please write the name and product code of your fitting in the spaces provided overleaf. This will ensure a speedier service if you should need to phone the helpline.**

### **PLEASE NOTE:**

In the unlikely event you find a part missing, please contact our Customer Service helpline on **0844 701 6273** for immediate dispatch of part